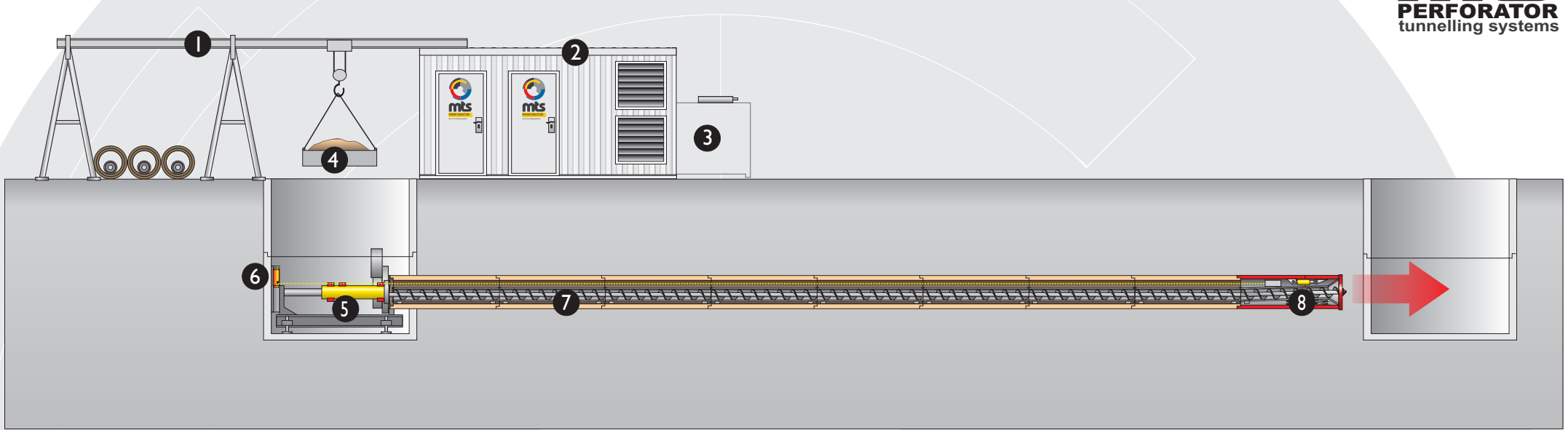


mts1000 Auger

Job-site setup



- | | |
|------------------------|--------------------------------|
| 1 Gantry crane | 5 Jacking rig with auger drive |
| 2 Control Container | 6 Laser |
| 3 Generator | 7 Auger train |
| 4 Spiol removal bucket | 8 Auger steering head |